



SPECIFICATIONS

Product Name	Inmarsat-C Mobile Earth Station FELCOM18	Inmarsat MINI-C Mobile Earth Station FELCOM19
Frequency	TX:	1626.5-1646.5 MHz
	RX:	1537.0-1544.2 MHz
Channel Spacing	5 kHz	
Modulation Rate and format	TX:	600, 1200 sps Unfiltered BPSK
	RX:	1200 sps Unfiltered BPSK
Minimum G/T	-23.0 dB/K (at elv. 5°)	-23.7 dB/K (at elv. 5°)
Output Power	12-16 dBW (at elv. 5°)	7-16 dBW (at elv. 5°)
Power Supply	12-24 VDC	
	TX:	less than 130 W
RX:	less than 60 W	

ENVIRONMENT

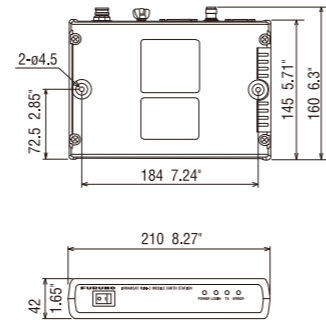
Temperature	Antenna Unit	-35 to +55°C (Storage: +70°C)
	BDE	-15 to +55°C
Relative Humidity	40°C 95%	

EQUIPMENT LIST

Standard	1 Antenna Unit with 30 m cable IC-118	1 unit	1 Antenna Unit with 30 m cable IC-119	1 unit
	2 Terminal Unit with keyboard IC-218	1 unit	2 Communication Unit IC-219	1 unit
	3 Junction Box IC-318	1 unit	3 Junction Box IC-318*	1 unit
	4 SSAS Alert Unit IC-307*	2 unit	4 SSAS Alert Unit IC-307*	2 unit
	5 Installation materials		5 Installation materials	
	*applicable only for SSAS specification		*applicable only for SSAS specification	
Option	1 Distress Alert/Received Call Unit IC-305		1 AC/DC Power Supply Unit PR-240	
	2 Alarm Unit IC-306		2 SSAS Alert Unit IC-307**	
	3 AC/DC Power Supply Unit PR-240		3 Junction Box IC-318**	
	4 GPS Board Kit		4 Printer PP-520	
	5 SSAS Alert Unit IC-307**		**applicable only for non-SSAS specification	
	6 Printer PP-520		**applicable only for non-SSAS specification	

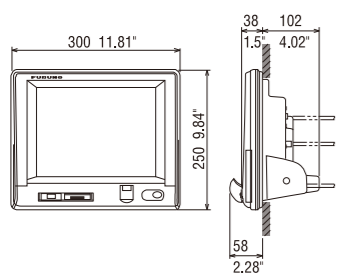
Communication Unit

IC-219
1.2 kg 2.65 lb



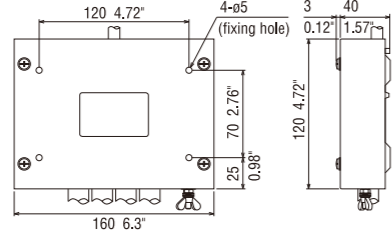
Terminal Unit

IC-218
4.2 kg 9.26 lb



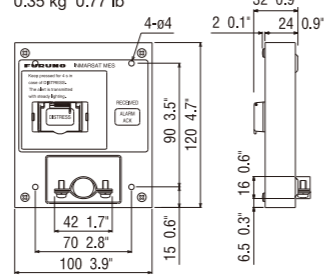
Junction Box

IC-318
weight: TBC



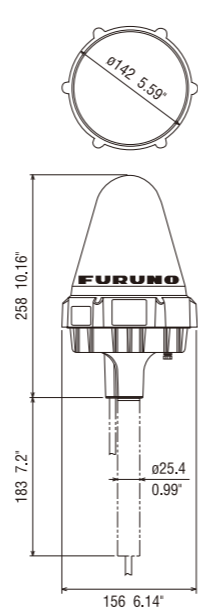
Distress Alert/Received Call Unit

IC-305
0.35 kg 0.77 lb



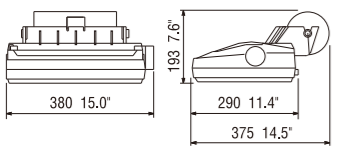
Antenna Unit

IC-118/IC-119
1.4 kg 3.09 lb



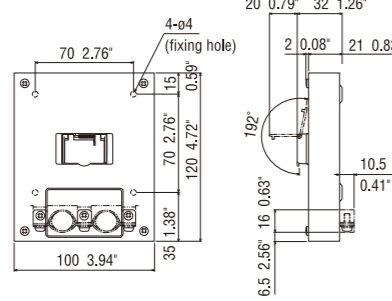
Printer

PP-520
4.8 kg 10.6 lb



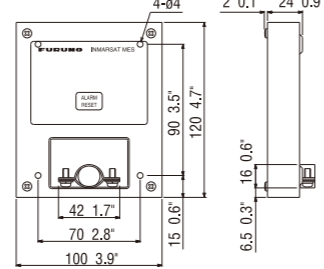
SSAS Alert Unit

IC-307
0.35 kg 0.77 lb



Alarm Unit

IC-306
0.33 kg 0.7 lb



MES

INMARSAT-C Mobile Earth Station / INMARSAT MINI-C Mobile Earth Station



All brand and product names are registered trademarks, trademarks or service marks of their respective holders.
SPECIFICATIONS SUBJECT TO CHANGE WITHOUT NOTICE

- FURUNO ELECTRIC CO., LTD.**
Nishinomiya, Hyogo, Japan
www.furuno.com
- FURUNO U.S.A., INC.**
Camas, Washington, U.S.A.
www.furunousa.com
- FURUNO NORGE A/S**
Ålesund, Norway
www.furuno.no
- FURUNO (UK) LIMITED**
Havant, Hampshire, U.K.
www.furuno.co.uk
- FURUNO DANMARK A/S**
Hvidovre, Denmark
www.furuno.dk
- FURUNO SVERIGE AB**
Västra Frölunda, Sweden
www.furuno.se
- FURUNO FRANCE S.A.S.**
Bordeaux-Mérignac, France
www.furuno.fr
- FURUNO ITALIA S.r.l.**
Genoa, Italy
- FURUNO ESPAÑA S.A.**
Madrid, Spain
www.furuno.es
- FURUNO FINLAND OY**
Espoo, Finland
www.furuno.fi
- FURUNO POLSKA Sp. z o.o.**
Gdynia, Poland
www.furuno.pl
- FURUNO EURUS LLC**
St. Petersburg, Russian Federation
www.furuno.com.ru
- FURUNO DEUTSCHLAND GmbH**
Rellingen, Germany
www.furuno.de
- FURUNO HELLAS S.A.**
Glyfada, Greece
www.furuno.gr
- FURUNO (CYPRUS) LTD**
Limassol, Cyprus
www.furuno.com.cy
- FURUNO KOREA CO., LTD.**
Busan, Korea
- FURUNO SHANGHAI CO., LTD.**
Shanghai, China
www.furuno.com/cn
- RICO (PTE) LTD**
Singapore
www.rico.com.sg



Proven solutions for Inmarsat-C/Inmarsat MINI-C services fully incorporated SSAS and LRIT capabilities



Compatible with:
GMDSS Global Maritime Distress and Safety System
LRIT Long-Range Identification and Tracking of ships
SSAS Ship Security Alert System

Features of FELCOM18

- ▶ Inmarsat-C Ship Earth Station terminal for GMDSS application
- ▶ Full GMDSS compliance with optional printer and AC/DC power supply
- ▶ SSAS capability with SSAS Alert Units
- ▶ Compatibility with LRIT application
- ▶ Compatible with the following standard:
 IMO A.570(14), IMO A.664(16), IMO A.694(17), IMO A.807(19), IMO MSC.147(77), IMO MSC.36(63), IMO MSC.68(68) Annex 4, IMO MSC.97(73), IMO MSC.263.(84), MSC/Circ.862, IEC 60945 Ed. 4, IEC 61097-4 Ed. 2, IEC 61162-1 Ed. 4
- ▶ A wide variety of communication schemes available: telex, FAX, emailing, EGC, Data reporting/polling, etc.
- ▶ SD card for recording media
- ▶ GPS receiver (option)

Model: FELCOM18



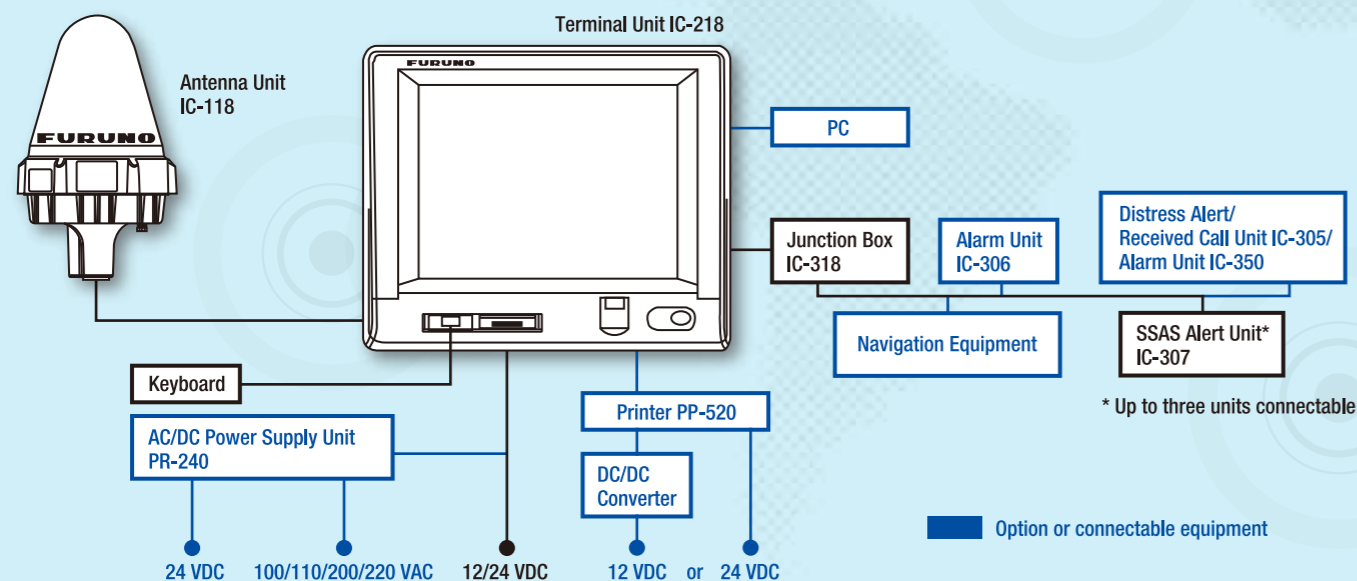
Compatible with:
LRIT Long-Range Identification and Tracking of ships
SSAS Ship Security Alert System

Features of FELCOM19

- ▶ Inmarsat MINI-C Mobile Earth Station terminal
- ▶ Compatibility with LRIT application
- ▶ SSAS capability with SSAS Alert Units
- ▶ A wide variety of communication schemes available: telex, FAX, emailing, EGC (non-GMDSS), Data reporting/polling, etc.
- ▶ GPS receiver incorporated
- ▶ Black-box configuration allows flexible installation

Model: FELCOM19

Interconnection Diagram



Interconnection Diagram

